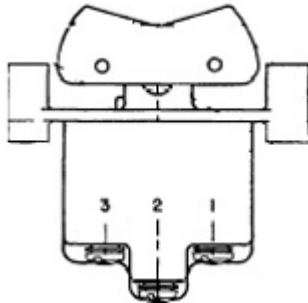




2TP12-7



Actual product appearance may vary.

TP Series Rocker Switch, 2 pole, 3 position, Screw terminal, Flush Panel Mounting

Features

- Environmentally sealed
- Two and three-position pushbutton action
- Various button colors
- 1, 2, and 4-pole circuitry
- Flush panel and above panel mountings
- Temperature range: -54 °C to +71 °C [-65 °F to +160 °F]
- UL recognized, CSA certified
- CE approved

Potential Applications

- Industrial machinery and equipment
- Military and commercial aviation
- Marine applications
- Construction equipment
- Test instruments
- Agricultural machinery
- Process control
- Medical instrumentation

Description

MICRO SWITCH™ TP Rocker switches may be mounted flush with panel for a low-button profile or above panel for a distinct button appearance. Buttons measure 22,1 mm x 37,1 mm [.87 in x 1.46 in]. They are removable and interchangeable, and come in transparent plastic, translucent plastic, and six colors of opaque plastic. Switches without buttons are also available, as well as separate buttons.

Product Specifications																			
Circuitry/ Operating action	<table border="0"> <tr> <td style="text-align: center;">Keyway Momentary Position</td> <td style="text-align: center;">Center Position</td> <td style="text-align: center;">Opposite Keyway Momentary Position</td> </tr> <tr> <td style="text-align: center;"></td> <td style="text-align: center;"></td> <td style="text-align: center;"></td> </tr> <tr> <td style="text-align: center;">1 2 3</td> <td style="text-align: center;">1 2 3</td> <td style="text-align: center;">1 2 3</td> </tr> <tr> <td style="text-align: center;"></td> <td style="text-align: center;"></td> <td style="text-align: center;"></td> </tr> <tr> <td style="text-align: center;">6 5 4</td> <td style="text-align: center;">6 5 4</td> <td style="text-align: center;">6 5 4</td> </tr> <tr> <td style="text-align: center;">ON</td> <td style="text-align: center;">OFF</td> <td style="text-align: center;">ON</td> </tr> </table>	Keyway Momentary Position	Center Position	Opposite Keyway Momentary Position				1 2 3	1 2 3	1 2 3				6 5 4	6 5 4	6 5 4	ON	OFF	ON
Keyway Momentary Position	Center Position	Opposite Keyway Momentary Position																	
1 2 3	1 2 3	1 2 3																	
6 5 4	6 5 4	6 5 4																	
ON	OFF	ON																	
Product Type	MICRO SWITCH™ Rocker																		
Ampere/ Voltage Range (Resistive Load)	0.75 A at 115 Vdc, 0.5 A at 250 Vdc, 0.5 A to 10 A at 0.5 Vac to 277 Vac, 0.5 A to 18 A at 0.5 Vdc to 28 Vdc																		
Circuitry	DPDT																		
Action	3 position																		
Mounting	Flush Panel																		
Termination	Screw																		
Button Type	Transparent																		
UL/CSA Rating Code	L192: 10 A-125, 250, 277 Vac; 1/4 Hp-125 Vac; 1/2 Hp-250, 277 Vac; 3 A-125 Vac "L"																		
Comment	Silver cadmium oxide contacts																		
Availability	Global																		
UNSPSC Code	302119																		
UNSPSC Commodity	302119 Switches and controls and relays																		
Series Name	TP																		

MICRO SWITCH

A DIVISION OF MINNEAPOLIS-METROVAC COMPANY
 10000 UNIVERSITY AVENUE
 ST. LOUIS, MISSOURI 63143
 TELEPHONE 314-863-1000
 FEDERAL MFR CODE 91929

**SWITCH - TOGGLE
 FLUSH KEY**

CATALOG LISTING
**2TP12 SERIES
 CHART 1**

CAT. LIST.	CIRCUIT MADE WITH BUTTON DEPRESSED ON		
	OPPOSITE LUG (2-3, 5-6)	CENTER (1-2, 4-5)	LUG SIDE (1-2, 4-5)

2TP12-1	ON	OFF	ON
2TP12-2	ON	NONE	OFF
2TP12-3	ON	NONE	ON
2TP12-21	ON	OFF	NONE
2TP12-4	ON	NONE	MOM OFF
Ⓑ	ON	OFF	MOM ON
2TP12-6	OFF	NONE	MOM ON
2TP12-7	MOM ON	OFF	MOM ON
2TP12-8	ON	NONE	MOM ON
2TP12-61	NONE	OFF	MOM ON

L191 15A 125, 250, 277 VAC
 1/2HP 125 VAC
 1HP 250, 277 VAC
 5A 125 VAC "L"



L192 10A 125, 250, 277 VAC
 1/4HP 125 VAC,
 1/2HP 250, 277 VAC
 3A 125 VAC "L"



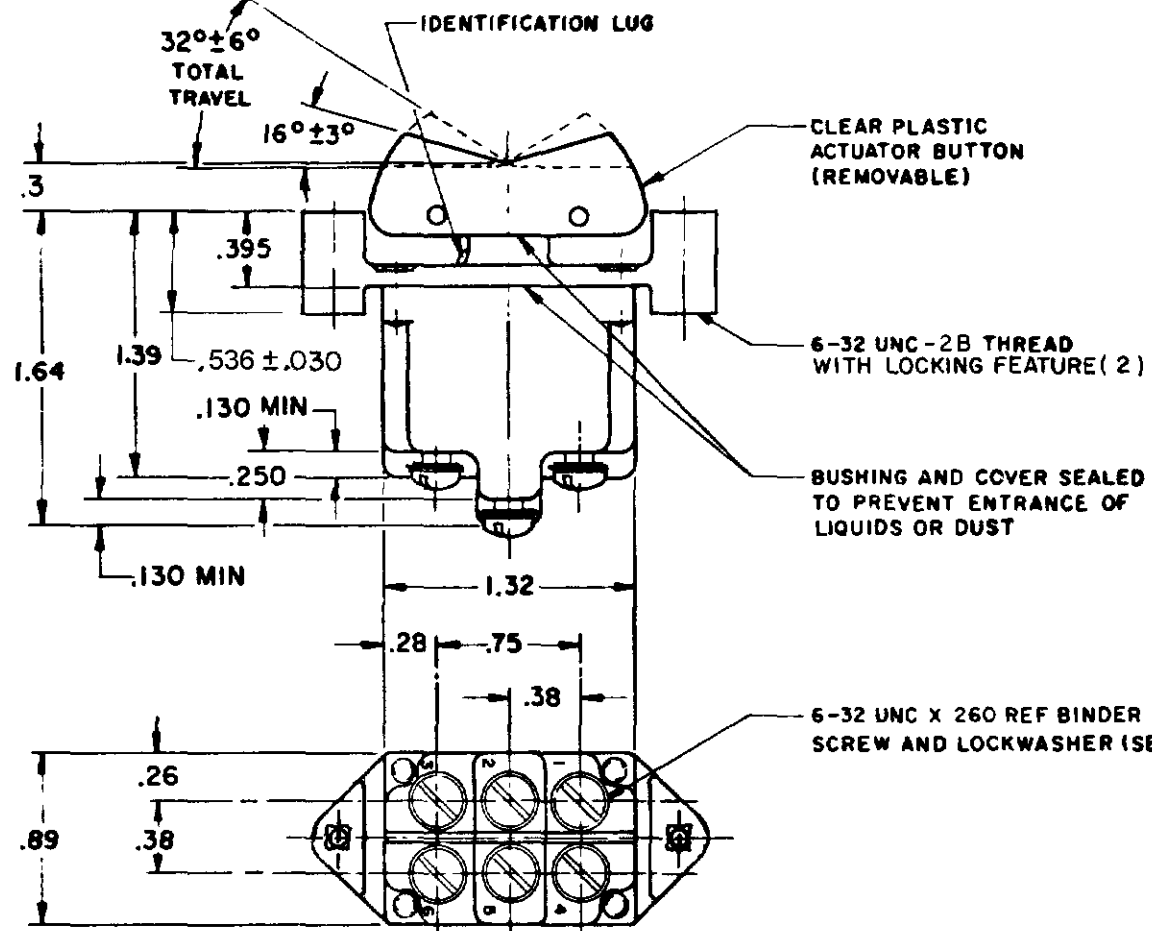
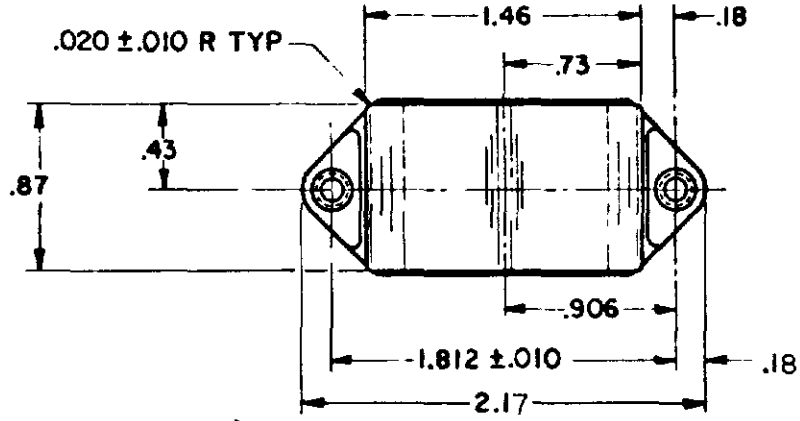
DRAWING NUMBER
2TP12 SERIES CHART 1
 PAGE 1 OF 1

ISSUE
M
 17

REVISIONS

A	CO-94413	JUN 8 1999	22 SEP 99
B	CO-195303	C.S.L. 15 NOV 99	22 SEP 99
C	202714	C.S.L. 3 APR 01	22 SEP 99

DRAWN
 H.B.W. 18 SEP 64
 CHECKED
 L.S.D. 22 SEP 64
 RASTER
 FC-80378 003



- NOTES
- 1 - MICRO SWITCH CATALOG LISTING MARKED ON SIDE OF SWITCH
 - Ⓐ APPLIES ONLY TO "ON" AND "MOMENTARY ON" POSITIONS
 - Ⓑ - THESE SWITCHES WILL WITHSTAND TEMPERATURE OF 160°F
 - Ⓒ SCREWS FURNISHED UNASSEMBLED

THIS DRAWING COVERS A PROPRIETARY ITEM AND IS THE PROPERTY OF MICRO SWITCH A DIVISION OF MINNEAPOLIS-METROVAC COMPANY. THIS DRAWING IS NOT TO BE COPIED OR USED WITHOUT THE APPROVAL OF MICRO SWITCH.

CHARACTERISTICS	ELECTRICAL DATA	SCALE - FULL
	CONTACT ARRANGEMENT	DO NOT SCALE PRINT
		UNLESS OTHERWISE SPECIFIED DIMENSIONS ARE IN INCHES
		TOLERANCES ARE:
		ONE PLACE () ±.030
		TWO PLACE (.) ±.015
		THREE PLACE (.00) ±.008
		ANGLES ±
		WEIGHT .14 LB EST